

Special Features

TRACOE silcosoft is a very soft, flexible, spiral-reinforced silicone tube. The neck flange has been designed with pediatric anatomy in mind. Patented reinforced eyelets on the flange prevent the material tearing with a hook-and-loop fastener. Length-specific variants can be supplied from stock. For larger order quantities delivery time on request.

TRACOE H₂O Cuff®

When the cuff is deflated, it is close and tight to the tube. It is filled with up to 2 ml of sterile water. The cuff acts as a seal to prevent the aspiration of food and saliva from the pharynx and the unwanted escape of air during ventilation.

The 'Silicone Advantage'

The material properties of silicone are particularly beneficial to young patients: well tolerated, free from latex and DEHP, and easy to insert. It is less likely to become encrusted and is easy to clean. TRACOE silcosoft tubes can be re-used up to 7 times.

Obturator with ring-shaped grip

The specially designed obturator is extremely practical. The ring-shaped grip ensures that the tube can be inserted safely and easily, despite its small size.



More information in our product video
on our website www.tracoe.com/en/media-library



REF 360  

TRACOE silcosoft® Tracheostomy Tube
for neonates and infants, made from silicone

- Including:
- ◆ ring obturator
 - ◆ neck strap
 - ◆ disconnection wedge
 - ◆ in sterile package



REF 361  

TRACOE silcosoft® PL Tracheostomy Tube
for neonates and infants, proximal longer,
made from silicone

- Including:
- ◆ obturator
 - ◆ neck strap
 - ◆ disconnection wedge
 - ◆ in sterile package



REF 362  

TRACOE silcosoft® Tracheostomy Tube
for neonates and infants, with H₂O cuff,
made from silicone

- Including:
- ◆ ring obturator
 - ◆ neck strap
 - ◆ disconnection wedge
 - ◆ in sterile package



REF 363  

TRACOE silcosoft® PL Tracheostomy Tube
for neonates and infants, with H₂O cuff,
proximal longer, made from silicone

- Including:
- ◆ obturator
 - ◆ neck strap
 - ◆ disconnection wedge
 - ◆ in sterile package

All REF numbers and dimensions are listed on page 50.

The meanings of the symbols used are explained on page II at the beginning of the catalog.



REF 370



TRACOE silcosoft® Tracheostomy Tube
for children, made from silicone

- Including:
- ◆ ring obturator
 - ◆ neck strap
 - ◆ disconnection wedge
 - ◆ in sterile package



REF 371



TRACOE silcosoft® PL Tracheostomy Tube
for children, proximal longer, made from silicone

- Including:
- ◆ obturator
 - ◆ neck strap
 - ◆ disconnection wedge
 - ◆ in sterile package



REF 372



TRACOE silcosoft® Tracheostomy Tube
for children, with H₂O cuff, made from silicone

- Including:
- ◆ ring obturator
 - ◆ neck strap
 - ◆ disconnection wedge
 - ◆ in sterile package



REF 373



TRACOE silcosoft® PL Tracheostomy Tube
for children, with H₂O cuff, proximal longer,
made from silicone

- Including:
- ◆ obturator
 - ◆ neck strap
 - ◆ disconnection wedge
 - ◆ in sterile package



REF 350



TRACOE mini Tracheostomy Tube
for neonates and infants

- Including:
- ◆ ring obturator
 - ◆ neck strap
 - ◆ in sterile package



REF 355



TRACOE mini Tracheostomy Tube
for children

- Including:
- ◆ ring obturator
 - ◆ neck strap
 - ◆ in sterile package



REF 356

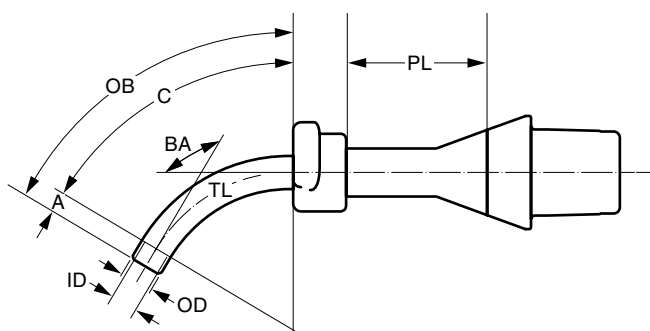
TRACOE kids Extension Piece

- Including:
- ◆ disconnection wedge
 - ◆ in sterile package

Prevents obstruction of the patient end of the tube. The dead space will be increased by approx. 3.5 – 4 ml (cm³), which corresponds to the normal dead space of 2 – 3 years old children. Fits all mini tubes up to an inner diameter of 6 mm. While using a proximal longer tube for children please be aware of the increased dead space.

Technical Data and Scope of Supply

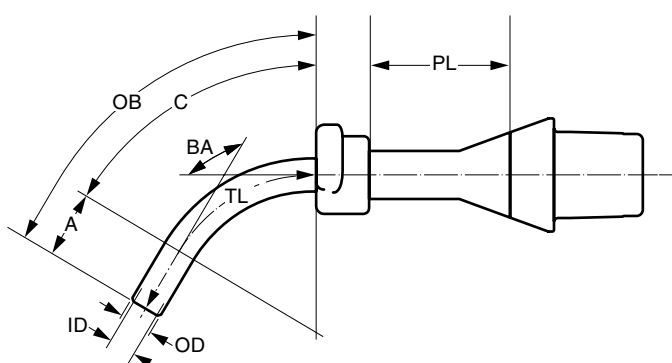
TRACOE silcosoft® for Neonates and Infants



REF 360, REF 361, REF 362, REF 363

Size	ID	OD	A	C	TL	OB	BA	PL
	mm	mm	mm	mm	mm	mm	°	mm
2.5	2.5	4.4	3.2	26.8	30	32	120	15
3.0	3.0	4.9	4.0	28.0	32	34	120	17
3.5	3.5	5.4	5.0	29.0	34	37	120	20
4.0	4.0	6.0	7.0	29.0	36	39	120	22

TRACOE silcosoft® for Children



REF 370, REF 371, REF 372, REF 373

Size	ID	OD	A	C	TL	OB	BA	PL
	mm	mm	mm	mm	mm	mm	°	mm
2.5	2.5	4.4	9	29.0	38	40	120	20
3.0	3.0	4.9	10	29.0	39	41	120	20
3.5	3.5	5.4	11	29.0	40	43	120	25
4.0	4.0	6.0	12	29.0	41	44	120	25
4.5	4.5	6.6	13	29.0	42	45	120	30
5.0	5.0	7.3	15	29.0	44	48	120	30
5.5	5.5	8.4	17	29.0	46	50	120	30

ID: inside diameter (clear width) of tube; **OD:** outside diameter of tube; **A:** length; **C:** length; **B:** length; **TL:** length along centre line from start of neck flange to bottom of tube; **OB:** length along outer bend from start of neck flange to bottom of tube; **BA:** bending angle **PL:** proximal longer

To order, specify **REF + size**, e. g. **REF 370-2.5**



Product variants can be made in order to optimise the functionality and wearing comfort and also for patients with complex anatomical and physiological conditions. The order form is available on our website www.tracoe.com/en/downloads.

Scope of Supply of TRACOE kids Tubes



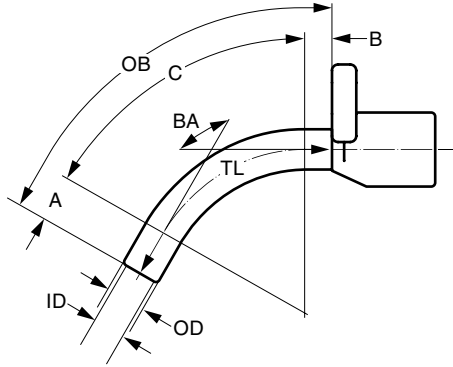
All TRACOE *kids* tubes are supplied with an obturator, a soft wide adjustable neck strap (REF 903-G), and a product info card with two detachable labels.



All TRACOE silcosoft tubes are supplied with a disconnection wedge.

Technical Data and Specialities

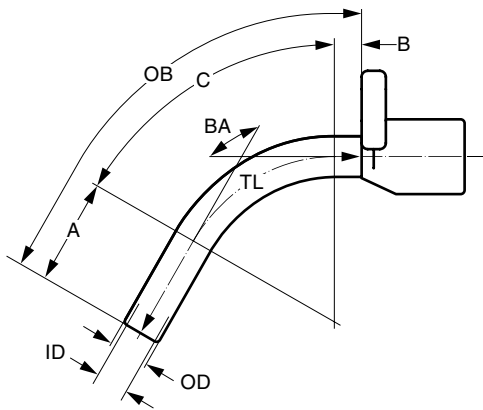
TRACOE mini for Neonates and Infants



REF 350

Size	ID	OD	A	C	B	TL	OB	BA
	mm	mm	mm	mm	mm	mm	mm	°
2.5	2.5	3.6	6	22	2	30	32	120
3.0	3.0	4.3	7	23	2	32	34	120
3.5	3.5	5.0	8	23	3	34	37	120
4.0	4.0	5.6	9	24	3	36	40	120

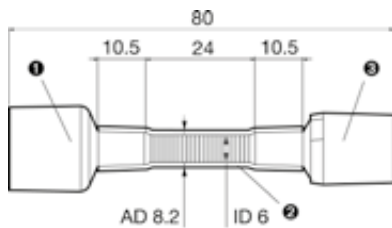
TRACOE mini for Children



REF 355

Size	ID	OD	A	C	B	TL	OB	BA
	mm	mm	mm	mm	mm	mm	mm	°
2.5	2.5	3.6	8	22	2	32	34	120
3.0	3.0	4.3	10	24	2	36	39	120
3.5	3.5	5.0	12	25	3	40	43	120
4.0	4.0	5.6	14	27	3	44	48	120
4.5	4.5	6.3	16	28	4	48	52	120
5.0	5.0	7.0	18	28	4	50	55	120
5.5	5.5	7.6	20	30	5	55	60	120
6.0	6.0	8.4	22	35	5	62	67	120

TRACOE kids Extension Piece



REF 356

- ❶ 15 mm connector, female;
- ❷ reinforced tube;
- ❸ 15 mm connector, male



REF 643



TRACOE humid assist kids Heat & Moisture Exchanger, HME with paper filter, for attachment to any pediatric tube with 15 mm connector, to be used in children with tidal volume of 7 to 50 ml

Details of the product are given in the modular product line on page 85.