



REF 450 

**TRACOE *vario* Tracheostomy Tube**  
 spiral-reinforced, with adjustable neck flange,  
 low pressure cuff, scale and 15 mm connector

- Including: ♦ obturator and neck strap  
 ♦ in sterile package



REF 460 

**TRACOE *vario* Tracheostomy Tube**  
 with adjustable neck flange, low pressure cuff,  
 X-ray contrast line, scale and 15 mm connector

- Including: ♦ obturator and neck strap  
 ♦ in sterile package



REF 470 

**TRACOE *vario* extract Tracheostomy Tube**  
 with adjustable neck flange, low pressure cuff,  
 subglottic suction line, X-ray contrast line, scale  
 and 15 mm connector

- Including: ♦ 2 connectors for suction pump  
 ♦ obturator and neck strap  
 ♦ in sterile package



REF 455 

**TRACOE *vario* Tracheostomy Tube**  
 spiral-reinforced, with adjustable neck flange,  
 scale and 15 mm connector

- Including: ♦ obturator and neck strap  
 ♦ in sterile package



REF 451 **XL**

**TRACOE *vario* XL Tracheostomy Tube**  
 spiral-reinforced, with adjustable neck flange,  
 low pressure cuff, scale and 15 mm connector

- Including:
- ◆ obturator and neck strap
  - ◆ in sterile package



REF 461 **XL**

**TRACOE *vario* XL Tracheostomy Tube**  
 with adjustable neck flange, low pressure cuff,  
 X-ray contrast line, scale and 15 mm connector

- Including:
- ◆ obturator and neck strap
  - ◆ in sterile package



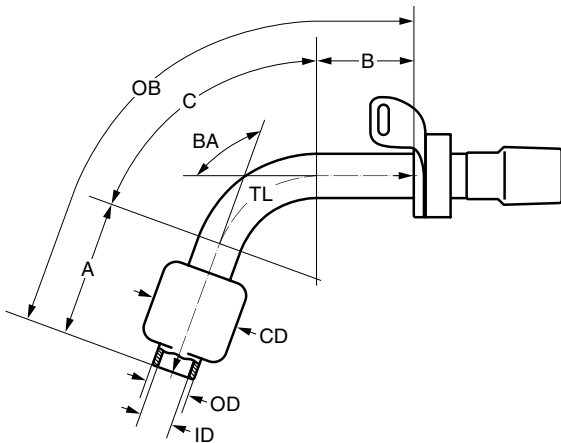
REF 471 **XL**

**TRACOE *vario* extract XL Tracheostomy Tube**  
 with adjustable neck flange, low pressure cuff,  
 subglottic suction line, X-ray contrast line, scale  
 and 15 mm connector

- Including:
- ◆ 2 connectors for suction pump
  - ◆ obturator and neck strap
  - ◆ in sterile package

# Technical Data

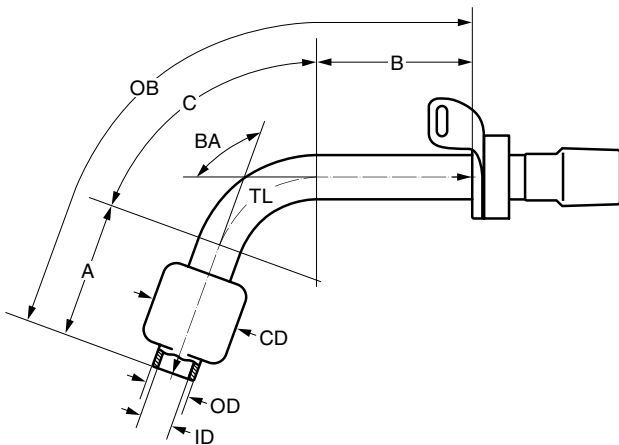
## TRACOE vario



REF 450, REF 455, REF 460 *in sizes 06 – 11*  
 REF 464 *in sizes 07 – 09*  
 REF 470 *in sizes 07 – 10*  
 REF 450-P, REF 460-P *in sizes 07 – 09*  
 REF 470-P *in sizes 08 – 09*

Size	ID	OD	A	C	B	TL	OB	BA	CD
	mm	mm	mm	mm	mm	mm	mm	°	mm
06	6.0	8.2	30	28	12	70	76	100	18
07	7.0	9.7	33	32	15	80	86	100	22
08	8.0	11.2	35	35	20	90	97	100	28
09	9.0	12.3	38	35	27	100	106	100	30
10	10.0	13.7	38	37	35	110	120	100	32
11	11.0	14.8	38	37	35	110	121	100	34

## TRACOE vario XL



REF 451, REF 461, REF 471 *in sizes 07 – 10*  
 REF 451-P, REF 461-P *in sizes 07 – 09*  
 REF 471-P *in sizes 08 – 09*

Size	ID	OD	A	C	B	TL	OB	BA	CD
	mm	mm	mm	mm	mm	mm	mm	°	mm
07	7.0	9.7	35	36	33	104	110	100	22
08	8.0	11.2	37	43	40	123	128	100	28
09	9.0	12.3	38	43	45	126	134	100	30
10	10.0	13.7	38	52	45	135	146	100	32

**ID:** inside diameter (clear width) at bottom of cannula; **OD:** outside diameter at bottom of cannula; **A:** length; **C:** length; **B:** length; **TL:** length along centre line; **OB:** length along outer bend; **BA:** bending angle; **CD:** cuff diameter

To order, specify **REF + size**, e. g. **REF 450-08**

# Speciality and Scope of Supply

## The Subglottic Suction Line



In all TRACOE tracheostomy tubes equipped with subglottic suction lines, the opening of the line is just above the cuff. Secretions in the subglottic space can therefore be suctioned off at the lowest point of collection. This reduces the risk of bacterially contaminated secretions entering the lower respiratory tract and the risk of developing aspiration pneumonia.

The TRACOE *vario* opening is designed to minimise mucosal damage from suctioning.

## Highly Adaptable



The TRACOE *vario* tube has a patented adjustable neck flange. By means of a practical push-button mechanism, the flange can be moved along the tracheostomy tube and adjusted to the individual patient. The flange is fixed securely in position by moving the orange locking lever upwards. Since no screw closure is used, no pressure at all is exerted on the trachea.

The flexible wings of the TRACOE *vario* neck flange can be adjusted independently, providing further opportunities to accommodate the individual patient's anatomy.

## Scope of Supply of TRACOE *vario* and *vario* XL Tubes



All TRACOE *vario* and *vario* XL tubes are supplied with an obturator, a wide adjustable neck strap, and a product info card with two detachable labels.

Lubricating gel is also supplied with the *vario* P-tubes.